



Lockhart Automotive Inc.
 9A Dibble St.
 Toronto, Ontario M4M 2E7
 Canada

Sean Lockhart
 Cell Phone: 416-410-4938
 Email: sean@lockhartautomotive.ca

Vehicle Summary

	Unit		Chassis	
Model:		Model 330	Fr Axle Load (lbs):	8000
Type:		Full Truck	Rr Axle Load (lbs):	17000
Description 1:		Single Axle Attenuator	G.C.W. (lbs):	26000
Description 2:		330 Class 6		
	Application		Road Conditions:	
Intended Serv.:		City Delivery	Class A (Highway)	100
Commodity:		Other Commodity	Class B (Hwy/Mtn)	0
			Class C (Off-Hwy)	0
	Body		Class D (Off-Road)	0
Type:		Other Body Type	Maximum Grade:	6
Length (ft):		24	Wheelbase (in):	256
Height (ft):		13.5	Overhang (in):	83.8
Max Laden Weight (lbs):		1000	Fr Axle to BOC (in):	69.8
			Cab to Axle (in):	186.2
	Trailer		Cab to EOF (in):	270
No. of Trailer Axles:		0	Overall Comb. Length (in):	378
Type:				
Length (ft):		0	Special Req.	
Height (ft):		0		
Kingpin Inset (in):		0		
Corner Radius (in):		0		
	Restrictions			
Length (ft):		40		
Width (in):		102		
Height (ft):		13.5		

Approved by: _____

Date: _____

Note: All sales are F.O.B. designated plant of manufacture.



Std/ Opt	Description	Weight
Base Model		
S	Model 330 The Model 330 is highly adaptable and can be configured up to 26,000 lbs. to meet the demands of virtually any medium-duty application. Combining durability and power with options to match the needs of both the job and driver, the 330 is an exceptional performer and ideal for refrigerated van, pickup and delivery, wrecker and municipal utility applications.	8,920
O	Other Commodity	0
S	City Delivery Truck or tractor which hauls freight, typically operating within a 100-mile radius, on public streets and highways and other paved surfaces. Typically includes package and freight delivery.	0
O	Other Body Type	0
O	Canadian Registry Canadian Registry Required for all vehicles registered in Canada.	0
Configuration		
S	Not Applicable Secondary Manufacturer	0
S	Class 6 Chassis Weight Rating 26,000 lb GVWR Hydraulic Brake Chassis requires 8,000/10,000 lb Front Axle and can not exceed 20,000 lb Rear Axle (Rear Axle will be derated to a maximum of 18,000 lb). Air Brake Chassis requires 10,000 lb Front Axle and can not exceed 21,000 lb Rear Axle. Contact your Local State Agency regarding any special licensing requirements for Air Brake Chassis.	0
Frame & Equipment		
O	10-5/8" Steel Rails 326-384" 10.625 x 3.45 x .313 Dimension, 1,776,000 RBM; Yield Strength: 120,000 psi. Section Modulus: 14.8 cubic inches. Weight: 1.44 lbs/inch pair	587
O	Custom Wheelbase or Overhang Engineering approval may be required.	0
S	EOF Square without Crossmember End-of-frame square without crossmember. For use with body builder installed crossmember.	0
S	Omit Rear Mudflaps and Hangers	0
Front Axle & Equipment		
S	Dana Spicer D800F 8,000 lb 3.5" drop. Factory front axle alignment to improve handling & reduce tire wear. Zerk fittings on tie rod ends, king pins, & draglink ball joints for ease of maintenance & help extend service life of components. Cognis EMGARD® FE 75W-90 synthetic axle lube provides over 1% fuel	0

Price Level: January 1, 2020

Deal: Single Axle Attenuator

Printed On: 2/26/2020 2:47:45 PM

Date: February 26, 2020

Quote Number: QUO-605666-J3R7V4



Std/ Opt	Description	Weight
	economy improvement. Reduces wear & extends maintenance intervals, resulting in increased uptime. Provides improved fluid flow to protect components in extreme cold conditions & withstand the stress from high temperatures, extending component life.	
S	Taper Leaf Springs, Shocks 8,000 lb Taper leaf springs, shocks 8,000 lbs. designed for a variety of on-highway and vocational trucks. Spring designs that help reduce weight compared to multi-leaf springs.	0
S	Power Steering Sheppard MD83 For use with 8,000 lb. axle ratings. The MD83 is a lighter duty power steering gear designed to handle up to 10,000 lbs. This gear is currently used in utility vans/package delivery trucks and other Class 6 & 7 applications.	0
O	Power Steering Reservoir Frame Mounted The power steering reservoir is a steering system that eases drivability by applying hydraulic pressure to the steering gear.	0
S	10-Stud Iron Hubs for Hydraulic Brakes	0
S	Hydraulic Front Brakes	0
Rear Axle & Equipment		
O	Dana Spicer P20060S 17,000 lb	108
S	10-Stud Iron Hubs for Hydraulic Brakes	0
S	Hydraulic Rear Brakes	0
S	Stability System Not Selected Or Not Available	0
S	Single Drive Axle (Model 330)	0
S	WABCO Hydraulic ABS Anti-Lock Brake System. HABS-E Technology	0
S	Synthetic Axle Lubricant All Axles Peterbilt heavy duty models include Fuel Efficient Cognis EMGARD FE75W-90 which provides customers performance advantages over current synthetic lubricants with reduced gear wear and extended maintenance intervals, resulting in increased uptime. In addition, the lubricant provides improved fluid flow to protect gears in extreme cold conditions and withstand the stress from high temperatures, extending component life.	0
O	Ratio 5.29 Rear Axle	0
S	Reyco 79KB Taper Leaf 21,000 lb	0
Engine & Equipment		
O	PACCAR PX-7 220@2400 GOV@2600 520@1600 Efficiency (2017 Emissions) Includes alum flywheel housing, cruise control, and J1939 provisions (provides an interface point for the	0

Price Level: January 1, 2020

Deal: Single Axle Attenuator

Printed On: 2/26/2020 2:47:45 PM

Date: February 26, 2020

Quote Number: QUO-605666-J3R7V4



Std/ Opt	Description	Weight
	Electronic Service Analysis-ESA and other PACCAR approved diagnostic tools). Chevron Delo LE SAE 10W30 engine oil is specially formulated for new low emissions engines. Magnetic engine oil drain plug captures and holds any metal fragments in engine oil to extend service life.	
	N21320 N205 120...Standard Maximum Speed Limit	
	N21470 P062 NO...Cruise Control Auto Resume (
	N21480 P068 NO...Auto Engine Brake in Cruise	
	N21450 P026 NO...Gear Down Protection (P026)	
	N21440 P015 NO...Engine Protection Shutdown (
	N21350 P001 65...Maximum Accelerator Pedal Ve	
	N21370 P059 65...Maximum Cruise Speed (P059)	
	N21590 P230 YES...Enable Hot Ambient Automatic	
	N21530 P233 YES...Enable Impending Shutdown Wa	
	N21540 P234 60...Timer For Impending Shutdown	
	N21460 P046 1400..Max PTO Speed (P046)	
	N21520 P030 5.....Timer Setting (P030)	
	N21570 P031 NO...Idle Shutdown Manual Overrul	
	N21610 P172 40....Low Ambient Temperature Thre	
	N21630 P171 80....High Ambient Temperature Thr	
	N21510 P520 YES...Enable Idle Shutdown Park Br	
	N21430 N201 0.....Reserve Speed Limit Offset (
	N21410 N202 0.....Maximum Cycle Distance (N202	
	N21400 N203 252...Reserve Speed Function Reset	
	N21420 N206 10...Maximum Active Distance (N20	
	N21340 P112 120...Hard Maximum Speed Limit (P1	
	N21550 P516 100...Engine Load Threshold (P516)	
	N21620 P173 60....Intermediate Ambient Tempera	
	N21330 N207 0.....Expiration Distance (N207)	
	N21500 N209 0.....Expiration Distance (N209)	
O	Engine Idle Shutdown Timer Disabled	0
O	Enable EIST Ambient Temp Overrule	0
	Eff EIST NA Expiration Miles	0
	Effective VSL Setting NA	0
O	Typical Operating Speed 65 MPH	0
O	Powertrain Optimized for Performance Best analysis for vehicles used in vocational applications or with heavy GCWRs.	0
S	CARB Engine Idling Compliance PACCAR PX-7, PX-9 and MX, Cummins X15 and ISX diesel engines will include the required factory installed serialized sticker on the drivers door to identify them as meeting the NOx idling standard.	0
O	Omit Chevron Engine Oil Sticker (DELO)	0

Price Level: January 1, 2020

Deal: Single Axle Attenuator

Printed On: 2/26/2020 2:47:45 PM

Date: February 26, 2020

Quote Number: QUO-605666-J3R7V4



Std/ Opt	Description	Weight
S	PACCAR 160 Amp Alternator, Brushed PACCAR 160 AMP alternator, brushed producing 160 Amps at road speed and 100 Amps at idle.	0
O	Immersion Type Block Heater 110-120V Standard location for 2.1M and 1.9M models is left-hand under cab, Model 520 is in bumper, and for Model 220 it is at the driver step. Plug includes a weather-proof cover that protects the receptacle. This pre-heater keeps the coolant in the engine block from freezing when the engine is not running.	2
S	PACCAR 12V Starter, N/A PACCAR MX Engines PACCAR 12-volt electrical system. With centralized power distribution incorporating plug-in style relays. Circuit protection for serviceability, 12-volt light system w/circuit protection circuits number & color coded.	0
O	3 PACCAR Premium 12V Dual Purpose Batt 2190 CCA Threaded stud type terminal. Stranded copper battery cables are double aught (00) or larger to reduce resistance.	62
O	Battery Jumper Terminal Mtd under hood RH frame rail. Available with PX-7 engines only.	4
O	DM Advantage ON/OFF Fan Clutch Horton DM Advantage Two-Speed Fan Clutch On/Off for heavy-duty, medium-duty and a variety of off-highway equipment.	0
O	18.7 CFM Air Compressor N/A X15. Furnished on engine. Teflon lined stainless steel braided compressor discharge line.	47
S	Spin-On Fuel/Water Separator	0
S	No Fluid Heat Option for Fuel Filter	0
S	No Electric Heat Option for Fuel Filter	0
S	High Efficiency Cooling System Cooling module is a combination of steel and aluminum components, with aluminum connections to maximize performance and cooling capability. Silicone radiator & heater hoses enhance value, durability, & reliability. Constant tension band clamps reduce leaks. ClimaTech extended life coolant extends maintenance intervals which reduces maintenance costs. Anti-freeze effective to -30 degrees F helps protect the engine. Low coolant level sensor warns of low coolant condition to prevent engine damage. Radiator Size by Model: 579/367 FEPTO 1325 sq in, 567/365/367: 1440 sq in, 365 FEPTO: 1184 sq in, 389/367 HH: 1669 sq in, 348: 1000 sq in, 520: 1242 sq in.	0
S	Radial Seal, Dry Type Air Cleaner, Frontal Air Intake. Molded rubber air intake connections with lined stainless steel clamps seal to prevent contaminants in air intake.	0
O	Exhaust Single RH Horizontal DPF/SCR RH Under Frame. For customers who are concerned about weight distribution, maneuverability and trying to achieve the shortest wheelbase possible. The wheelbase improvement is only for configurations that were affected by the horizontal exhaust length.	-158

Transmission & Equipment

Price Level: January 1, 2020

Deal: Single Axle Attenuator

Printed On: 2/26/2020 2:47:45 PM

Date: February 26, 2020

Quote Number: QUO-605666-J3R7V4



Std/ Opt	Description	Weight
O	Allison 2500 RDS-P Transmission, Gen 5 Rugged Duty Series. Includes Allison Shift Performance, Mobil Delvac Automatic Transmission Fluid, and Water-Oil Heat Exchange. Also includes dash mounted indicator light when the transmission fluid, filter or clutches need service. Suited for vehicles operating on/off highway and/or requiring PTO operation. Forward ratios: 1st-3.51, 2nd-1.90, 3rd-1.44, 4th-1.00, 5th-0.74, 6th-0.64. Reverse ratios: DR-(5.09).	-131
O	SPL100 Driveline, 2 Midship Bearings	60
O	Allison FuelSense 2.0 Not Desired	0
O	Allison Neutral At Stop Neutral at Stop features and benefits: Reduces or eliminates the load on the engine when vehicle is stopped, can help lower fuel consumption and CO2 emissions, and is included in FuelSense 2.0 Plus and Max packages only.	0
O	Allison 6-Speed Configuration Wide ratio gears, 2500 series transmissions.	0
O	Dash Mounted Push Button Shifter Available with Allison transmissions	0
Air & Trailer Equipment		
O	Pull Cords All Air Tanks	0
S	Bosch Hydromax II Booster, Hydraulic Disc Brake Plumbing	0
O	Steel Painted Air Tanks All air tanks are steel with painted finish except when Code 4543330 Polish Aluminum Air Tanks is also selected (then exposed air tanks outside the frame rails will be polished aluminum). Peterbilt will determine the optimal size and location of required air tanks. Narratives requesting a specific air tank size or location will not be accepted for factory installation. See ECAT to determine number or location of air tanks installed.	0
O	Auxiliary Air Tank	15
O	Body Connections 5' BOC Junction box contains light and power circuits for body connections located 5' from back-of-cab	4
Tires & Wheels		
O	FF: BR 16ply 255/70R22.5 R250ED Diameter = 36.7 inches; SLR = 17.2 inches	-46
O	RR: BR 16ply 255/70R22.5 M726 Diameter= 37.3 inches; SLR= 17.4 inches	-64
O	Code-rear Tire Qty 04	0



Std/ Opt	Description	Weight
S	FF: Accu-Lite Steel Armor 51408PK 22.5X8.25 PHP10-2 hand holes	0
S	RR: Accu-Lite Steel Armor 51408PK 22.5X8.25 PHP10-2 hand holes	0
O	Code-rear Rim Qty 04	0
Fuel Tanks		
O	23" Aluminum 50 Gallon Fuel Tank LH U/C Includes steps for cab access. Paddle handle filler cap with threadless filler neck. Top draw fuel plumbing reduces chance of introducing air into the fuel system during low fuel level conditions due to the central placement of fuel pickup tube. Wire braid fuel lines increase durability & reduce potential for leaks.	-126
O	Location LH U/C 50 Gallon	0
S	DEF Tank Mounted LH BOC Models 220 and 520 mounted left hand back-of-cab.	0
S	Standard DEF to Fuel Ratio 2:1 Or Greater	0
O	DEF Tank Small	0
Battery Box & Bumper		
O	Aluminum Battery Box RH Under Cab, Non-Slip Step	-55
O	Rubber Battery Pad In Bottom of (1) Battery Box Mat in box that holds batteries only	2
S	Steel Styled Aero Bumper Painted Cab Color Two tow points	0
Cab & Equipment		
S	Alum Cab 108in BBC Metton Hood w/Bright Crown Includes view window RH door and convex mirror over RH door.	0
S	Peterbilt UltraRide Driver Seat	0
O	Peterbilt UltraRide Passenger Seat	0
O	Drivers Armrest - RH Only	2
O	Black Seat Color IPO Standard Color	0
O	Air Ride Driver	0
S	High Back Driver	0
S	Vinyl Driver	0



Std/ Opt	Description	Weight
S	Non-Air Ride Passenger	0
O	High Back Passenger	0
S	Vinyl Passenger	0
O	Adjustable Steering Column - Tilt/Telescope	11
S	Steering Wheel With Peterbilt Logo Steering Wheel with embossed Peterbilt logo over horn button.	0
S	Interior Gray/Black Includes rugged charcoal instrument panels, glare-resistant gray dash, black bezels on gauges, (2) power ports, monochromatic molded door pads with durable in-mold color, gray molded back wall, 18 inch 4-spoke soft-touch steering wheel, soft-touch steering column cover, power lift passenger window, extruded rubber floor covering, header-mounted dome light, foot well lighting, integrated "dead pedal", (4) inside entry grab handles, (2) inside sunvisors, (2) coat hooks, (2) cup holders and map bin in dash.	0
S	Day Cab Rear Window Day cab rear window flush to back of cab.	0
S	1-Piece Curved Windshield	0
S	Combo Fresh Air Heater/Air Conditioner With radiator mounted condenser, dedicated side window defrosters, Bi-Level Heater/Defroster Controls, 54,500 BTU/HR, and silicone heater hoses.	0
O	Air Conditioning Excise Tax - Canada	0
O	Stainless Steel Mirrors 7 x 16 with Heat Element	2
O	(2) Convex 8 Inch SSTL Mirrors Center mounted under mirror bracket. If rear view mirrors are heated, the convex mirrors will be heated. Option includes dual door stops.	4
S	Power Package Includes power door locks and power windows.	0
O	(1) Air Horn 15" Painted Mounted under cab.	8
O	Standard Speaker Package For Cab (2) Speakers	4
O	ConcertClass Without CD, Includes BT Phone and Audio, AM/FM, WB, USB and MP3.	10
O	Plug-In Auto Reset Circuit Breaker in place of fuses in junction box.	0
S	Peterbilt Electric Windshield Wipers With Intermittent Feature.	0
O	Triangle Reflector Kit, Ship Loose Florescent triangle emergency road flares are designed to meet and exceed all DOT standards.	13

Price Level: January 1, 2020

Deal: Single Axle Attenuator

Printed On: 2/26/2020 2:47:45 PM

Date: February 26, 2020

Quote Number: QUO-605666-J3R7V4



Std/ Opt	Description	Weight
O	Fire Extinguisher, Cab Mounted Hazmat approved UL listed/rated ABC	8
O	Backup Alarm (107 DB)	3
O	Main Transmission Oil Temperature Gauge Located in Driver Information Display	0
S	Air Restriction Indicator Mounted on air cleaner, intake piping, or firewall	0
O	Speedometer KPH IPO MPH	0
O	(1) Additional Electric Switch Without Wiring	0
S	Main Instrumentation Panel, Graphics Display Includes speedometer with trip odometer, tachometer with hourmeter and outside air temperature display, voltmeter, engine oil pressure, engine coolant temperature, fuel level, primary and secondary air pressure gauges. Includes standard warning light package: high water temperature, low oil pressure, and low air pressure warning lights with audible alarms, high beam, turn signal, low fuel, parking brake, and ice warning indicators; seat belt reminder; rocker switches with long-life LED indicators; multi-function turn stalk with flash-to-pass feature (night mode flashes headlights and marker lights; day mode flashes headlights only), intermittent windshield wiper and headlamp beam control. Hydraulic braked trucks do not include air pressure gauges.	0
S	Headlights Composite Fender Mounted Integral park, turn, and side marker	0
S	(5) Marker Lights, Aero LED	0
O	Daytime Running Lights The brake interlock turns the daytime running lights off when the parking brakes are engaged. This is required on all Canadian vehicles.	0
S	Incandescent Square Stop/Turn/Tail/Backup Left-hand / right-hand square end of frame or dropped a-brace	0
Paint		
O	Standard Paint Color Selection	0
S	(1) Color Axalta Two Stage - Cab/Hood Base Coat/Clear Coat N85020 A - L0006EY WHITE N85700 BUMPER L0006EY WHITE N85500 CAB ROOF L0006EY WHITE N85300 FENDER L0006EY WHITE N85200 FRAME L0001EA BLACK N85400 HOOD TOP L0006EY WHITE	0
Shipping Destination		
O	Shipping Destination Other Than Dealer (Specify by narrative)	0

Price Level: January 1, 2020

Deal: Single Axle Attenuator

Printed On: 2/26/2020 2:47:45 PM

Date: February 26, 2020

Quote Number: QUO-605666-J3R7V4



<i>Std/ Opt</i>	<i>Description</i>	<i>Weight</i>
Options Not Subject To Discount		
S	Peterbilt Class 7 Standard Coverage 1 year/Unlimited Miles/km	0
S	PACCAR PX-7 Standard Coverage 3 years/Unlimited Miles/Unlimited hrs	0
Miscellaneous		
S	2017 EPA Emissions Engine Warranty Only	0
O	Presentation Created With SmartSpec	0

Promotions

Order Comments



Total Weight

9,296

Prices and Specifications Subject to Change Without Notice.

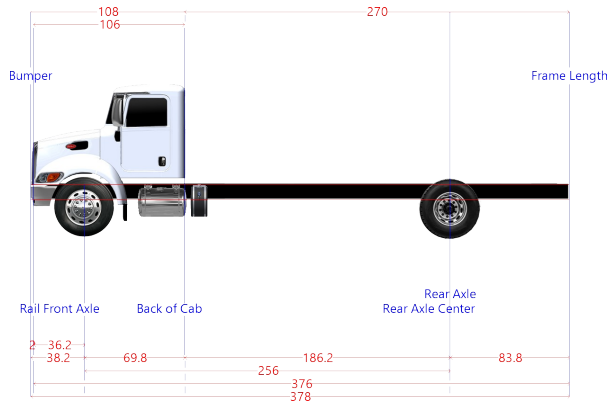
Unpublished options may require review/approval.

Dimensional and performance data for unpublished options may vary from that displayed in CRM.

PRICING DISCLAIMER

While we make every effort to maintain the web site to preserve pricing accuracy, prices are subject to change without notice. Although the information in this price list is presented in good faith and believed to be correct at the time of printing, we make no representations or warranties as to the completeness or accuracy of this information. We reserve the right to change, delete or otherwise modify the pricing information which is represented herein without any prior notice. We carefully check pricing specifications, but occasionally errors can occur, therefore we reserve the right to change such prices without notice. We disclaim all liability for any errors or omissions in the materials. In no event will we be responsible for any damages of any nature whatsoever from the reliance upon information from these materials. Please check your order prebills to confirm your pricing information

HORIZONTAL DIMENSIONS



Dimension	Measurement	Start	End
Axle Spacing	0	256	256
Bumper to Back of Cab	108	-38.2	69.8
Bumper to Front Axle	38.2	-38.2	0
Bumper to Front Frame	2	-38.2	-36.2
Cab to End of Frame	270	69.8	339.8
Cab to Rear Axle	186.2	69.8	256
Effective Bumper to Back Of Cab	108	-38.2	69.8
Frame Length	376	-36.2	339.8
Front Axle to Back of Cab	69.8	0	69.8
Front of Frame to Axle	36.2	-36.2	0
Load Space	270	69.8	339.8
Overall Length	378	-38.2	339.8
Overhang	83.8	256	339.8
Pusher Offset #1	0	256	256
Pusher Offset #2	0	256	256
Pusher Offset #3	0	256	256
Tag Offset	0	256	256
Wheelbase	256	0	256

VEHICLE WEIGHT RATING

FRONT AXLE COMPONENTS

Component	Sales Code	Description	Ratings
Axle	1011290	Dana Spicer D800F 8,000 lb	8,000
Springs	1111170	Taper Leaf Springs, Shocks 8,000 lb	8,000
Power Steering	1243170	Power Steering Sheppard MD83	10,000
Hubs, Drums	1354890	10-Stud Iron Hubs for Hydraulic Brakes	12,000

Brakes

Tires	5068960	FF: BR 16ply 255/70R22.5 R250ED	11,020
Wheels	5211990	FF: Accu-Lite Steel Armor 51408PK 22.5X8.25	14,800

Requested Front (Lbs): 0
 Minimum: 5,500
 Maximum: 8,000

The front axle weight rating cannot exceed 8000

REAR AXLE COMPONENTS

Component	Sales Code	Description	Ratings
Axle	1513310	Dana Spicer P20060S 17,000 lb	17,000
Hubs, Drums	1616330	10-Stud Iron Hubs for Hydraulic Brakes	23,000

Service Brakes

Spring Brakes			0
Suspension	1816140	Reyco 79KB Taper Leaf 21,000 lb	21,000
Tires	5166250	RR: BR 16ply 255/70R22.5 M726	20,280
Wheels	5311990	RR: Accu-Lite Steel Armor 51408PK 22.5X8.25	29,600

Requested Rear (Lbs): 0
 Minimum: 17,000
 Maximum: 17,000

The rear axle weight rating cannot exceed 0

GROSS COMBINATION WEIGHT RATING

GCWR (lbs)	26,000
Min	25,000
Max	26,000

The Gross Combination Weight Rating rating cannot exceed 26000

Weight Distribution

Model: 330

Actual performance of a specific unit can be affected by your operating conditions. The performance calculations should only be used as a guideline.



Recommended payload center of gravity to achieve specified ground loads; measured from centerline of drive axles: 20 in. from the centerline of the drive axle(s)."

Weight (lbs)	Front	Rear	Total
Chassis	6191	3105	9296
Tools/Driver	299	76	375
Fuel & DEF	353	108	461
Max Payload	1157	13711	14868
Auxiliary Payload	0	0	0
Total	8000	17000	25000
Specify Ground Load	8000	17000	

Auxiliary Payload

Item	Location from FA CL	Weight	Point Description
Load Point #1	0	0	
Load Point #2	0	0	
Load Point #3	0	0	
Component(s)	-	0	Composite Totals

Fifth wheel slide length is 0 inches
 Selected rearmost setting is 0 inches
 Wheelbase measurement: 256 inches
 Overhang measurement: 83.8 inches